

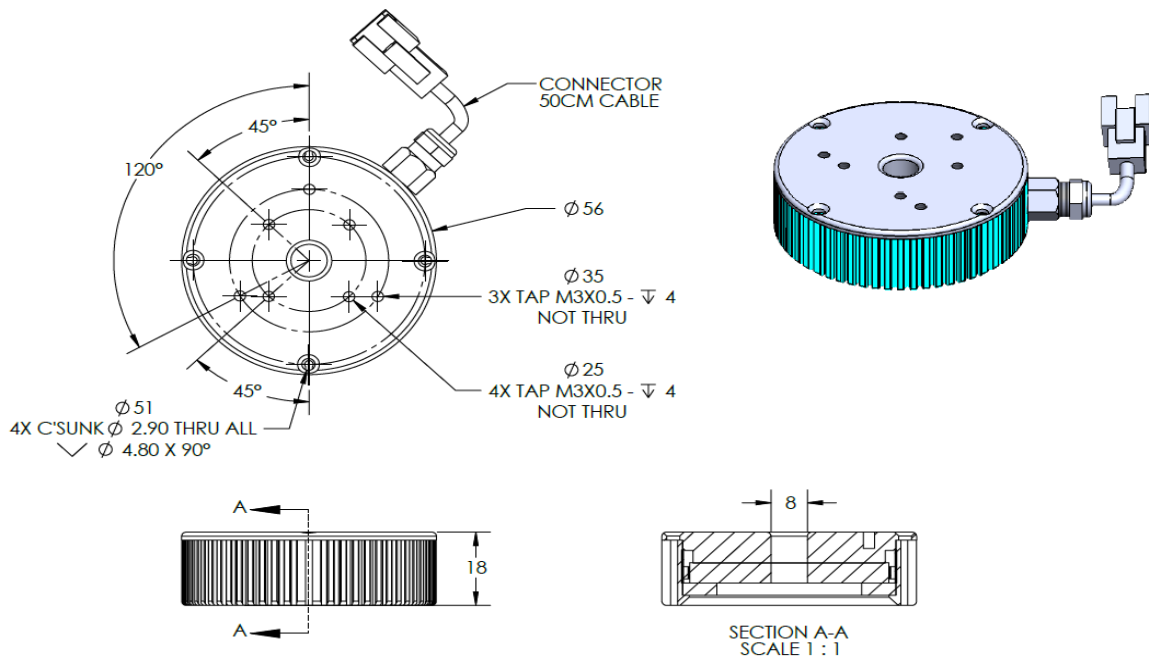


OPTO ENGINEERING

ILLUMINATOR DATA

LT4RTF050-00-1-G-24V

Lighting Dimension



ROHS COMPLIANT **CE**

Mechanical Information

Casing Material	Aluminium
Storage Temperature Range	0 - 45°C
Storage Humidity Range	20 - 85%
Weight	60g
Length / Outer Diameter	56mm
Width / Inner Diameter	8mm
Thickness / Height	18mm



OPTO ENGINEERING

ILLUMINATOR DATA

LT4RTF050-00-1-G-24V

Lighting Information																					
Part Number	LT4RTF050-00-1-G-24V																				
LED Color	GREEN																				
Wavelength	525																				
Working Distance	10 15 20																				
Intensity (±15%)	*FOR FURTHER INFORMATION PLEASE CONTACT US																				
Illumination (number of row)	1																				
Illumination Active Area	Active Length / Outer Dia. 31.8mm																				
	Active Width / Inner Dia. 8mm																				
Emission angle	0																				
Eye Safety Class (IEC62471)	EXEMPT																				
Chromaticity Table For White colour only	<table border="1"> <tbody> <tr> <td>X</td> <td>0.296</td> <td>0.287</td> <td>0.307</td> <td>0.311</td> <td>X</td> <td>0.311</td> <td>0.307</td> <td>0.33</td> <td>0.33</td> </tr> <tr> <td>Y</td> <td>0.276</td> <td>0.295</td> <td>0.315</td> <td>0.294</td> <td>Y</td> <td>0.294</td> <td>0.315</td> <td>0.339</td> <td>0.318</td> </tr> </tbody> </table>	X	0.296	0.287	0.307	0.311	X	0.311	0.307	0.33	0.33	Y	0.276	0.295	0.315	0.294	Y	0.294	0.315	0.339	0.318
X	0.296	0.287	0.307	0.311	X	0.311	0.307	0.33	0.33												
Y	0.276	0.295	0.315	0.294	Y	0.294	0.315	0.339	0.318												

Electrical Information	
Rated Constant Voltage	24V±2%
Rated Constant Current	108mA
Power Consumption	2.16W
Casing temperature, After 60 minutes operation	47

Strobe Mode Specification	
*Normal Strobe Voltage	24 V
*Normal Strobe Current	108mA
Overdrive Voltage Range	Min: 36V Max: 48V
Overdrive Current Range	Min: 1152mA Max: 2700mA
Recommended Overdrive Voltage	36V
**Max. Trigger Pulse Duration	10 msec
**Max. Duty Cycle	10%

*Normal strobe means the lighting is operated using the rated power. Overdrive means the power supplied to the lighting exceeded the rated power.


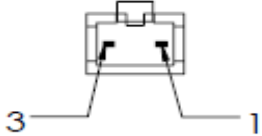
**Overdrive condition must not exceed the max. trigger pulse duration and max. duty cycle.



OPTO ENGINEERING

ILLUMINATOR DATA

LT4RTF050-00-1-G-24V

Connection Information			
Connector Type (Default)	JST SMR-03V		
Cable Length	50 cm		
Pin Configuration 	Pin	Signal	Cable Colour
	1	LED +	Red
	2	N.C	-
	3	LED -	White
			

Additional Information	
Additional Cooling Method	Attached to machine part for better heat dissipation
Intensity Controller Selection	SD, ST, ANG, LC, SDA, SDP series
CE Conformity	YES
RoHS Compliance	YES

Application	
Illumination Type	Diffused Illumination
Application Use	Printed character on IC chips, PCB component, printing on caps, and wafer OCR inspection.



OPTO ENGINEERING

ILLUMINATOR DATA

LT4RTF050-00-1-G-24V

Lighting Pattern				
Working Distance	For further details please contact us.			
Display and Image				
Data Results	Horizontal	Meas.(mm)	Vertical	Meas.(mm)
	90%		90%	
	80%		80%	
	70%		70%	
	60%		60%	
	50%		50%	
	40%		40%	
	30%		30%	
	20%		20%	
	10%		10%	